

ORDER EXAMPLE

To correctly order this model follow the example specified below:

VERSION W/BASE (BA)

PRODUCT **MLN#200 BA IDR 9010**
 MLN#200BA IDR Article code found in the prices table here below
 9010 Colour code to be checked in the Tubes Colour Chart

ACCESSORIES

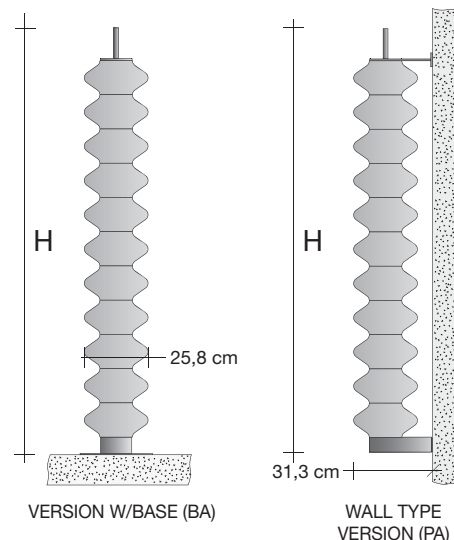
Procedures for Recessed parts (mandatory)
INCMLNBA#IDR Recessed part for MILANO w/BASE Water
Cod. GVR One way Remote Valve Assembly, CHROME finish
Cod. GVRC#* One way Remote Valve Assembly, COLOUR finish*
 * Specify the color code, e.g.: 9010, after checking the Tubes Colour Chart

WALL TYPE VERSION (PA)

PRODUCT **MLN#200 PA IDR 9010**
 MLN#200PA IDR Article code found in the prices table here below
 9010 Colour code to be checked in the Tubes Colour Chart

ACCESSORIES

Procedures for Recessed parts (mandatory)
INCMLNPA#IDR200 Recessed part for MILANO Wall Type MLN#200PA IDR
Cod. GVR One way Remote Valve Assembly, CHROME finish
Cod. GVRC#* One way Remote Valve Assembly, COLOUR finish*
 * Specify the color code, e.g.: 9010, after checking the Tubes Colour Chart



VERSION W/BASE (BA)

(the prices do not include arrangement for recessing)

Model	H (cm)	L (cm)	Thermal yield Watts $\Delta T 50^{\circ}C$	Price (€)
MLN#170BAIDR	171,5	25,8	800	
MLN#200BAIDR	199,0	25,8	934	
MLN#230BAIDR	227,0	25,8	1079	

WALL TYPE VERSION (PA)

(the prices do not include arrangement for recessing)

Model	H (cm)	L (cm)	Thermal yield Watts $\Delta T 50^{\circ}C$	Price (€)
MLN#170PAIDR	171,5	25,8	800	
MLN#200PAIDR	199,0	25,8	934	
MLN#230PAIDR	227,0	25,8	1079	

Recessed PART for MILANO Wall Type and Floor type

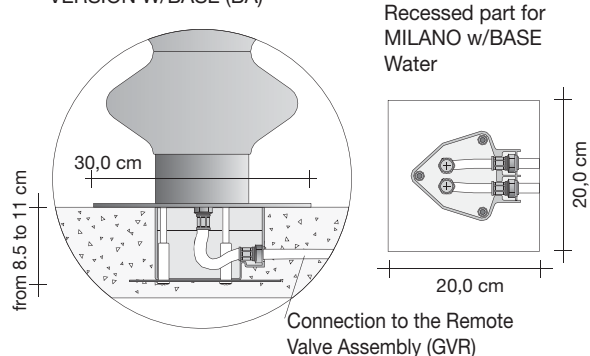
Includes the wall recessed part for connection to remote valve assembly (GVR) and the support of the external part of Milano

Model	Description	Price (€)
INCMLNBA#IDR	Milano Floor recess	
INCMLNPA#IDR170	Recessed part for MILANO 170 Wall Type	
INCMLNPA#IDR200	Recessed part for MILANO 200 Wall Type	
INCMLNPA#IDR230	Recessed part for MILANO 230 Wall Type	

ADDITIONAL COLOUR CHARGE (see the official Tubes Colour Chart)

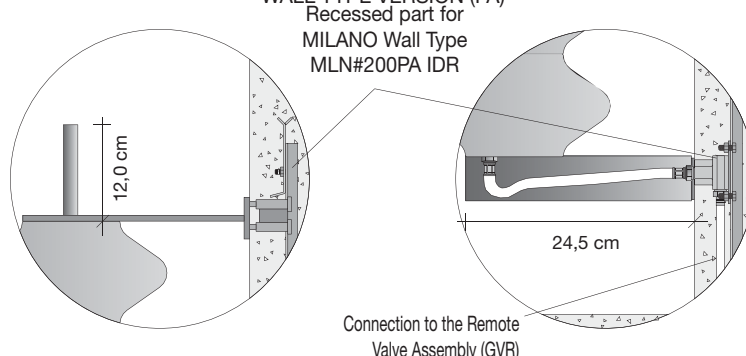
Additional colour charges are calculated over the Pure white price (Cat. C0), for the other categories the additional charges herein below are applicable:
 Category C1 and C2 +15%
 Natural steel with transparent finish +15%
 C3 Category +25%
 RAL not included in the colour chart +30%
 According to samples Request feasibility and cost estimate
 Colours not available: GRGR

VERSION W/BASE (BA)



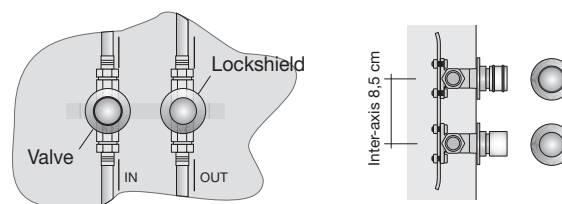
Connection to the Remote Valve Assembly (GVR)

WALL TYPE VERSION (PA)



Connection to the Remote Valve Assembly (GVR)

Connection to radiator



Connection to water system

REMOTE VALVE ASSEMBLY

Valve and Lockshield assembly for remote connection (GVR), can be installed up to a maximum distance of 6 metres from the radiator.

Code	Description	Price (€)
GVR#	RECESSED valve and lockshield assembly for remote connection	
GVRC#	Valve and Lockshield assembly for recessed remote connection, COLOUR finish	

ORDER EXAMPLE

To correctly order this model follow the example specified below:

VERSION W/BASE (BA)

PRODUCT **MLN2#200 BA ELI 9010**
 Article code found in the prices table here below
 Colour code to be checked in the Tubes Colour Chart

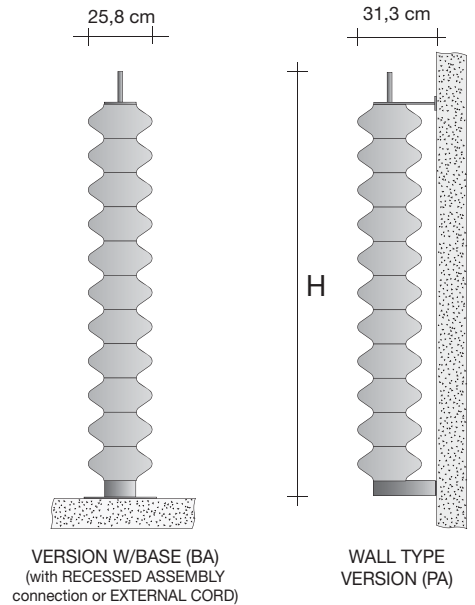
ACCESSORIES
 Procedures for Recessed parts (mandatory)
INCMLNBA#... Recessed part for MILANO w/BASE MLN2#200 BA ELI

WALL TYPE VERSION (PA)

PRODUCT **MLN2#200 PA ELI 9010**
 Article code found in the prices table here below
 Colour code to be checked in the Tubes Colour Chart

ACCESSORIES
 Procedures for Recessed parts (mandatory)
INCMLNPA#200ELI Recessed part for MILANO Wall Type MLN2#200 PA ELE

ELECTRIC ADJUSTERS (supplied as an accessory)
ZRF004 Kit with wireless room thermostat
Or ZRF005 Portable, programmable digital wireless chronothermostat kit



MILANO W/BASE with RECESSED CONNECTION (the prices do not include arrangement for recessing, see table below)

Model	H (cm)	L (cm)	Thermal yield Watts	Price (€)
MLN2#170BAELI	171,5	25,8	800	
MLN2#200BAELI	199,0	25,8	900	
MLN2#230BAELI	227,0	25,8	1000	

MILANO W/BASE with EXTERNAL CORD Base Diameter = 42 cm

Model	H (cm)	L (cm)	Thermal yield Watts	Price (€)
MLN2#170BMELE	171,5	25,8	800	
MLN2#200BMELE	199,0	25,8	900	
MLN2#230BMELE	227,0	25,8	1000	

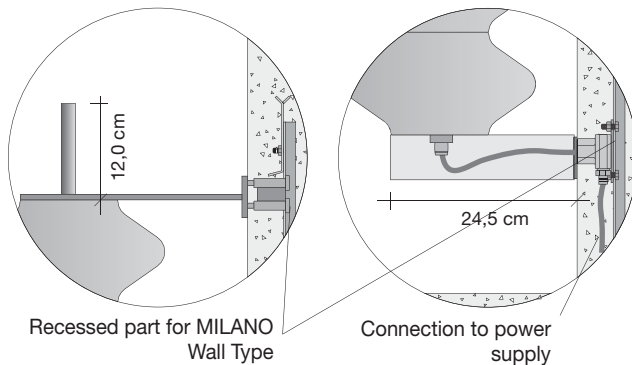
MILANO WALL VERSION (the prices do not include arrangement for recessing, see table below)

Model	H (cm)	L (cm)	Thermal yield Watts	Price (€)
MLN2#170PAELI	171,5	25,8	800	
MLN2#200PAELI	199,0	25,8	900	
MLN2#230PAELI	227,0	25,8	1000	

Procedure for Recessed part for MILANO ELECTRIC wall -floor

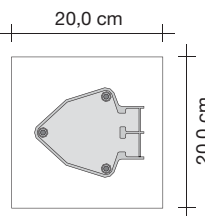
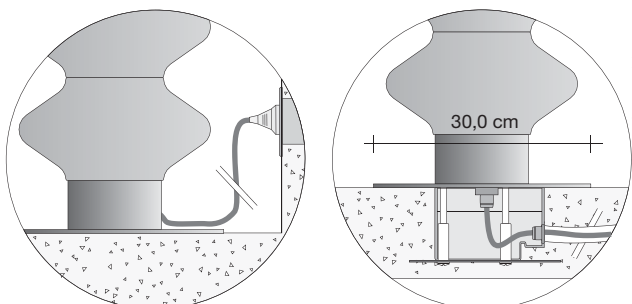
Model	Description	Price (€)
INCMLNBA#ELI	Milano Floor recess	
INCMLNPA#ELI170	Recessed part for MILANO 170 Wall Type	
INCMLNPA#ELI200	Recessed part for MILANO 200 Wall Type	
INCMLNPA#ELI230	Recessed part for MILANO 230 Wall Type	

ELECTRIC WALL version



Recessed part for MILANO Wall Type

ELECTRIC version w/BASE

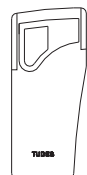


Recessed part for MILANO w/BASE

Wireless connections



Wireless room thermostat
ZRF004



Portable, digital wireless chronothermostat
ZRF005

ELECTRIC ADJUSTERS

Electrical setting is via the use of the following thermostats that regulate the room temperature by interacting with up to max 5 radiators.

Code	Description	Price (€)
ZRF004	Kit with WALL type room thermostat (radio frequency)	
ZRF005	Kit with TABLE type room thermostat (radio frequency) with weekly programming	

Colours not available: GRGR

MILANO CEILING TYPE ELECTRIC

Radiator composed of 25.8 cm diameter steel modules

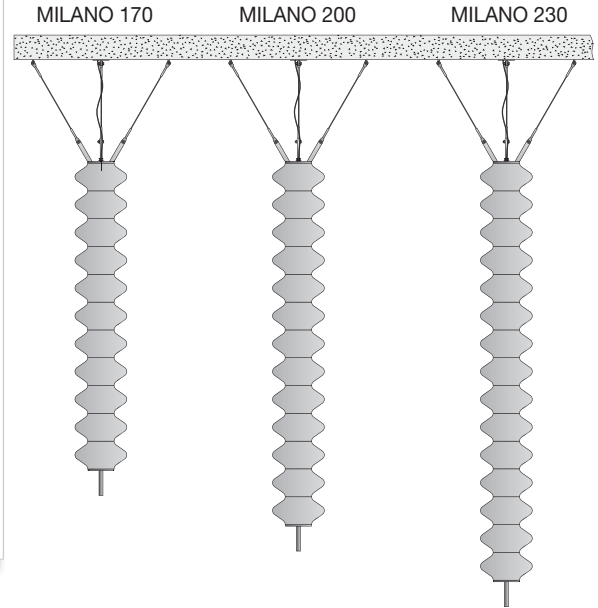


ORDER EXAMPLE

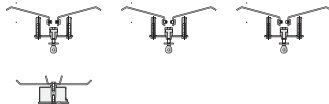
To correctly order this model follow the example specified below:

PRODUCT	MLN2#200 SO ELI 9010
MLN2#200SO ELI 9010	Article code found in the prices table here below Colour code to be checked in the Tubes Colour Chart
ACCESSORIES	
Procedures for Recessed parts	(mandatory)
INCMSO#...	Recessed part for MILANO Ceiling Type MLN2SO#200.....
KIT WITH TIE STUDS FOR CEILING FIXING	
GRT#...	Kit Tie studs for ceiling fixing MILANO
ELECTRIC ADJUSTERS	
ZRF004	Kit with wireless room thermostat
Or ZRF005	Portable, programmable digital wireless chronothermostat kit

TAKE CARE: for the proper installation of MILANO ceiling type carefully follow the installation instructions supplied with the product



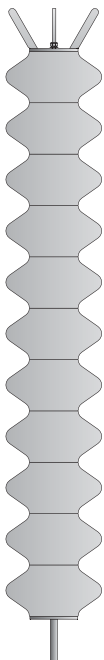
Procedure for Recessed part for MILANO Ceiling Type (INCMSO#...)



Kit Tie studs for ceiling fixing MILANO (GRT#...)



MILANO Ceiling Type (MLN2#...)



Procedure for Recessed part for MILANO Ceiling Type

Model	Description	Price (€)
INCMSO#040	MLN2 Type Ceiling recessed part kit Tie studs for ceiling fixing H 40 cm	
INCMSO#050	MLN2 Type Ceiling recessed part kit Tie studs for ceiling fixing H 50 cm	
INCMSO#060	MLN2 Type Ceiling recessed part kit Tie studs for ceiling fixing H 60 cm	
INCMSO#075	MLN2 Type Ceiling recessed part kit Tie studs for ceiling fixing H 75 cm	
INCMSO#100	MLN2 Type Ceiling recessed part kit Tie studs for ceiling fixing H 100 cm	
INCMSO#125	MLN2 Type Ceiling recessed part kit Tie studs for ceiling fixing H 125 cm	
INCMSO#150	MLN2 Type Ceiling recessed part kit Tie studs for ceiling fixing H 150 cm	

Kit with wires for ceiling fixing

Model	H. Wires (cm)	Radius that identifies the position of ceiling recessed parts	Price (€)
GRT#040	40,0	R. 28 cm	
GRT#050	50,0	R. 33 cm	
GRT#060	60,0	R. 39 cm	
GRT#075	75,0	R. 48 cm	
GRT#100	100,0	R. 62 cm	
GRT#125	125,0	R. 77 cm	
GRT#150	150,0	R. 91 cm	

Model	Description	Thermal yield Watts	Price (€)
MLN2#170SOELI	MILANO Ceiling Type 170	800	
MLN2#200SOELI	MILANO Ceiling Type 200	900	
MLN2#230SOELI	MILANO Ceiling Type 230	1000	

ELECTRIC ADJUSTERS

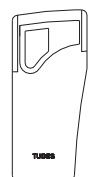
Electrical setting is via the use of the following thermostats that regulate the room temperature by interacting with up to max 5 radiators.

Code	Description	Price (€)
ZRF004	Kit with WALL type room thermostat (radio frequency)	
ZRF005	Kit with TABLE type room thermostat (radio frequency) with weekly programming	

Wireless connections



Wireless room thermostat
ZRF004



Portable, digital wireless chronothermostat
ZRF005

MILANO CEILING TYPE ELECTRIC

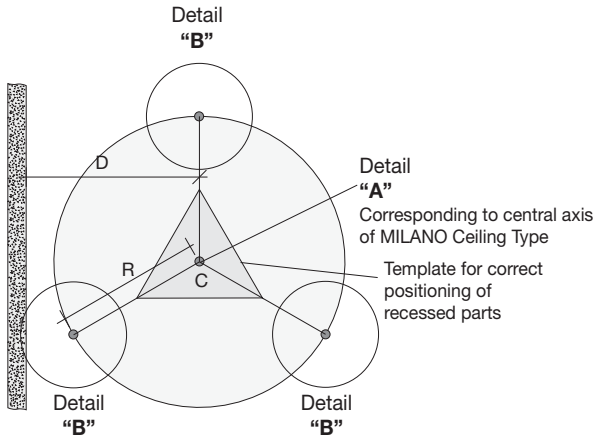
Radiator composed of 25.8 cm diameter steel modules



EL

Kit with wires for ceiling fixing

Model	Description	H. Wires (cm)	Radius that identifies the position of ceiling recessed parts	H. TOT (overall height MILANO + Tie studs)		
				MLN2170	MLN2200	MLN2230
GRT#040	Kit with 40 cm tie studs	40,0	R. 28 cm	204	232	259
GRT#050	Kit with 50 cm tie studs	50,0	R. 33 cm	214	242	269
GRT#060	Kit with 60 cm tie studs	60,0	R. 39 cm	224	252	279
GRT#075	Kit with 75 cm tie studs	75,0	R. 48 cm	239	267	294
GRT#100	Kit with 100 cm tie studs	100,0	R. 62 cm	264	292	319
GRT#125	Kit with 125 cm tie studs	125,0	R. 77 cm	289	317	344
GRT#150	Kit with 150 cm tie studs	150,0	R. 91 cm	314	342	369

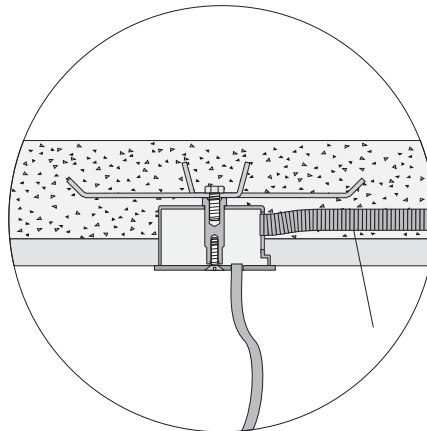
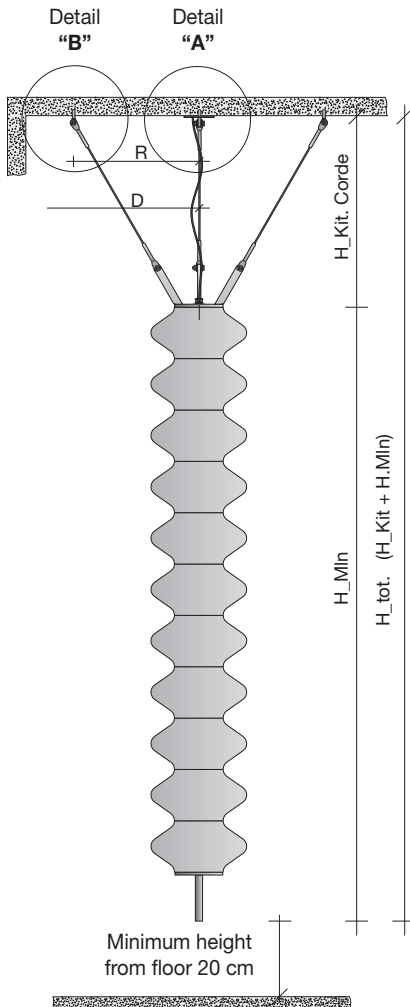


- R** Radius that identifies the position of "B" fixing Tie studs from the "C" central axis of MILANO (see table above)
- D** Distance of "C" (central axis of del MILANO) to the wall. D must be more than R by at least 10 cm
- C** Central axis of MILANO

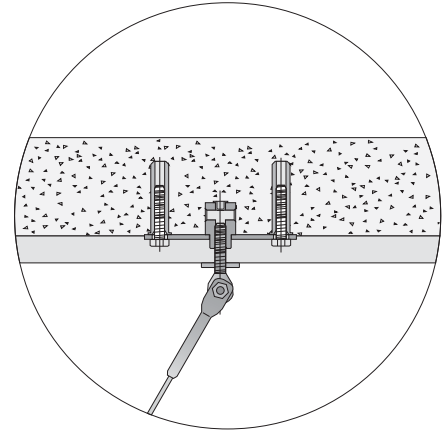
N.B.: D has to exceed R by at least 10 cm

H_Kit Required height of tie studs kit

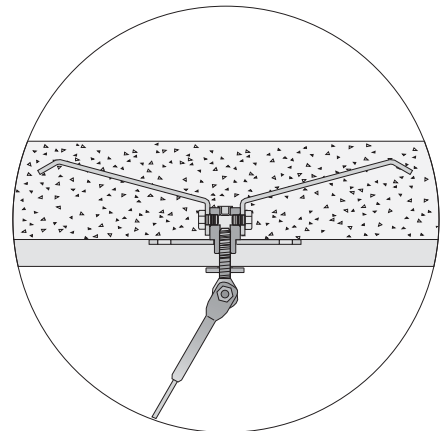
H_Total Total height of MILANO ceiling type - Tie studs Kit included - must be less than 20 cm of total height (from floor to ceiling) of the place of installation.



Ceiling section



For CONCRETE floor



For BRICKWORK structure