

The ARKOS models are radiators/towel warmers created with 25 mm diam. vertical tubular steel elements.

ARKOS is available in single and double version, both versions can be supplied with one or two "maniglione"

In models with height less than 140cm the "maniglione" is placed at the centre of the height.

ADDITIONAL COLOUR AND FINISH CHARGE (see new colour chart)

The additional charges are calculated on the base price of RAL 9010 for the coloured versions and on the base price of Glossy Chrome for the plated finishes.

C0 Category	without any additional charge (RAL 9010)
Category C1 and C2	+10%
C3 Category	+20%
RAL colours not included in the colour chart	+30%
Colours according to samples	request feasibility and cost estimate
PLATED finishes	NOT available

SUPPORTS

The radiators are supplied with standard supports (code ST) that include wall fixing shelves. On request you can order them with bracket supports permanently welded on the radiators, which must be specified when placing the order and have the following codes and costs:

- Right side WALL bracket supports (code MD) €
- Left side WALL bracket supports (code MS) €
- CEILING bracket supports (code SO) €

For radiators the prices of bracket supports include the special 0B2 or B2M connectors if required

LIMITS

- WALL TYPE bracket support **AK - AK2** Max. 17 elements (Max. Length 60,0 cm)
- AKD - AK2D** NOT available
- CEILING TYPE bracket support **AK - AK2** all sizes
- AKD - AK2D** Max. 17 elements (Max. Length 60,0 cm)

ACCESSORIES

On this model you can mount, on request, some coloured ceramic rings without any additional charge in price.

PACKING

The cardboard packing box is included in the price of sale of the products, and for the ARKOS model it contains the complete wall fixing kit and the manual vent valve. The support shelves for the radiators MUST NOT be recessed in the wall but must be installed with expansion screws.

VALVES

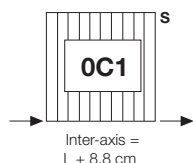
For valves and Lockshield see page 217

CONNECTORS

All ARKOS models are always supplied with "0C1" connectors. Should different connectors be required, such connectors must be strictly specified in the order. In the case of "0B2" connectors, the radiator can be equipped with 2 1/8" chrome-plated plugs on the head of the manifolds.

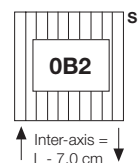
Standard connectors

standard connector always supplied, if not otherwise specified in the order



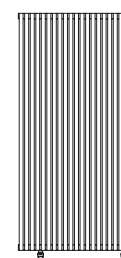
Custom-made connectors

Connectors available on request WITH additional charge of €



Custom-made connectors

Connectors available on request WITH additional charge of €



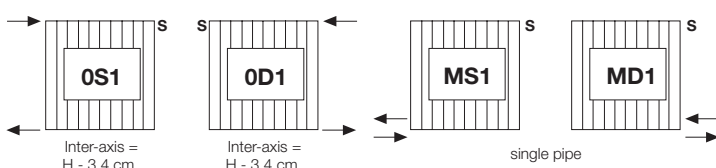
↑ d ↓

B2M

Specify "d" and "i"

Connectors on request

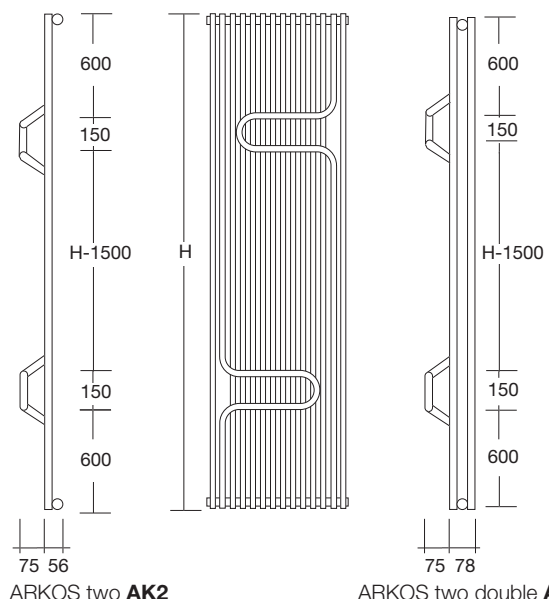
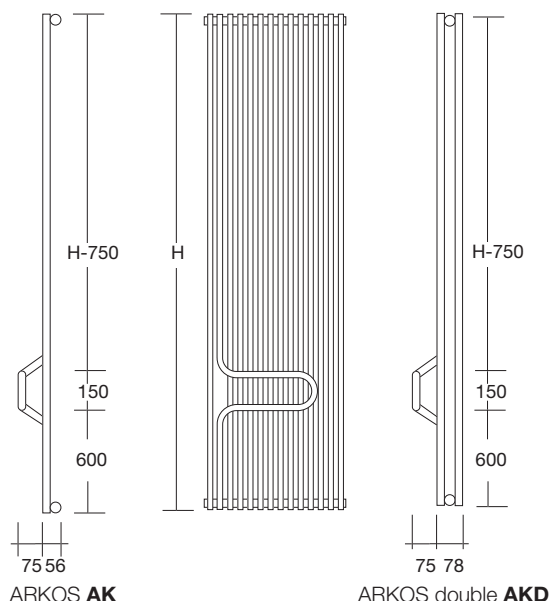
Connectors available on request WITHOUT any additional charge



→ = Position of connectors

S = Air Vent

I = Inter-axis between connectors



Price for items with White RAL 9010 finish and standard connectors. VAT and transport costs not included.
For correction factors different to $\Delta T 50^{\circ}C$ see page 230

AK

Height		100		110		120		140		150		170		180		190		200	
N° elements	Width (cm)	Watts $\Delta T 50^{\circ}C$	Price (€)	Watts $\Delta T 50^{\circ}C$	Price (€)	Watts $\Delta T 50^{\circ}C$	Price (€)	Watts $\Delta T 50^{\circ}C$	Price (€)	Watts $\Delta T 50^{\circ}C$	Price (€)	Watts $\Delta T 50^{\circ}C$	Price (€)	Watts $\Delta T 50^{\circ}C$	Price (€)	Watts $\Delta T 50^{\circ}C$	Price (€)	Watts $\Delta T 50^{\circ}C$	Price (€)
12	42,5	576		628		678		776		824		918		966		1007		1057	
13	46,0	624		680		735		841		893		995		1047		1091		1145	
14	49,5	672		732		791		906		962		1071		1127		1175		1233	
15	53,0	720		785		848		971		1031		1148		1208		1259		1322	
16	56,5	768		837		904		1035		1099		1224		1288		1342		1410	
17	60,0	816		889		961		1100		1168		1301		1369		1426		1498	
18	63,5	864		941		1017		1165		1237		1377		1449		1510		1586	
19	67,0	912		994		1074		1229		1305		1454		1530		1594		1674	
20	70,5	960		1046		1130		1294		1374		1530		1610		1678		1762	

AK2

Height		170		180		190		200	
N° elements	Width (cm)	Watts $\Delta T 50^{\circ}C$	Price (€)	Watts $\Delta T 50^{\circ}C$	Price (€)	Watts $\Delta T 50^{\circ}C$	Price (€)	Watts $\Delta T 50^{\circ}C$	Price (€)
12	42,5	918		966		1007		1057	
13	46,0	995		1047		1091		1145	
14	49,5	1071		1127		1175		1233	
15	53,0	1148		1208		1259		1322	
16	56,5	1224		1288		1342		1410	
17	60,0	1301		1369		1426		1498	
18	63,5	1377		1449		1510		1586	
19	67,0	1454		1530		1594		1674	
20	70,5	1530		1610		1678		1762	

AK2D

Height		170		180		190		200	
N° elements	Width (cm)	Watts $\Delta T 50^{\circ}C$	Price (€)	Watts $\Delta T 50^{\circ}C$	Price (€)	Watts $\Delta T 50^{\circ}C$	Price (€)	Watts $\Delta T 50^{\circ}C$	Price (€)
12	42,5	1314		1379		1444		1508	
13	46,0	1424		1494		1564		1634	
14	49,5	1533		1609		1684		1760	
15	53,0	1643		1724		1805		1886	
16	56,5	1752		1838		1925		2011	
17	60,0	1862		1953		2045		2137	
18	63,5	1971		2068		2165		2263	
19	67,0	2081		2183		2286		2388	
20	70,5	2190		2298		2406		2514	

AKD

Height		100		110		120		140		150		170		180		190		200	
N° elements	Width (cm)	Watts $\Delta T 50^{\circ}C$	Price (€)	Watts $\Delta T 50^{\circ}C$	Price (€)	Watts $\Delta T 50^{\circ}C$	Price (€)	Watts $\Delta T 50^{\circ}C$	Price (€)	Watts $\Delta T 50^{\circ}C$	Price (€)	Watts $\Delta T 50^{\circ}C$	Price (€)	Watts $\Delta T 50^{\circ}C$	Price (€)	Watts $\Delta T 50^{\circ}C$	Price (€)	Watts $\Delta T 50^{\circ}C$	Price (€)
12	42,5	830		902		973		1112		1180		1314		1379		1444		1508	
13	46,0	900		978		1054		1205		1278		1424		1494		1564		1634	
14	49,5	969		1053		1135		1298		1376		1533		1609		1684		1760	
15	53,0	1038		1128		1217		1391		1475		1643		1724		1805		1886	
16	56,5	1107		1203		1298		1483		1573		1752		1838		1925		2011	
17	60,0	1176		1278		1379		1576		1671		1862		1953		2045		2137	
18	63,5	1246		1354		1460		1669		1769		1971		2068		2165		2263	
19	67,0	1315		1429		1541		1761		1868		2081		2183		2286		2388	
20	70,5	1384		1504		1622		1854		1966		2190		2298		2406		2514	

SIZES AVAILABLE ON REQUEST: H.130/160